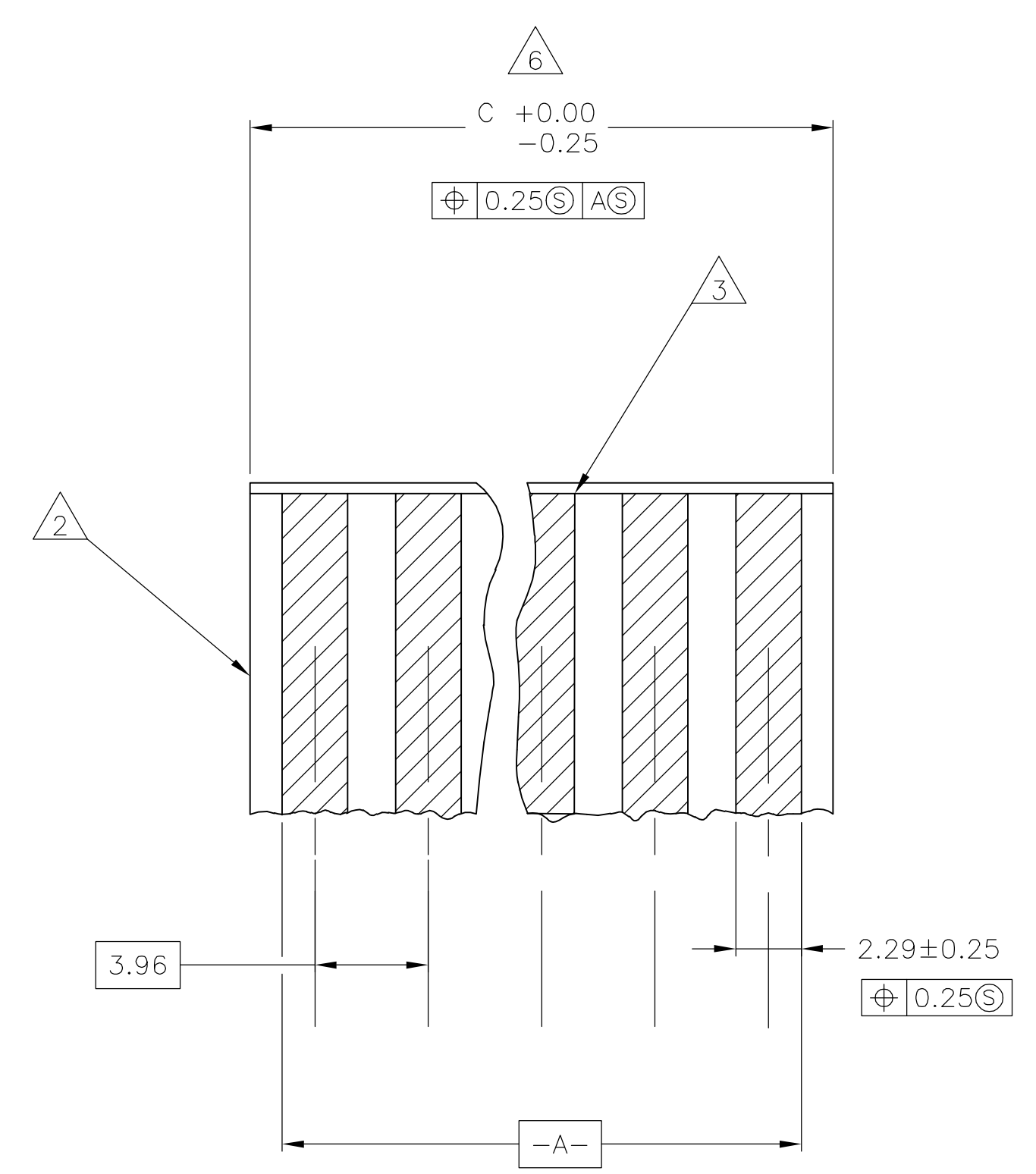
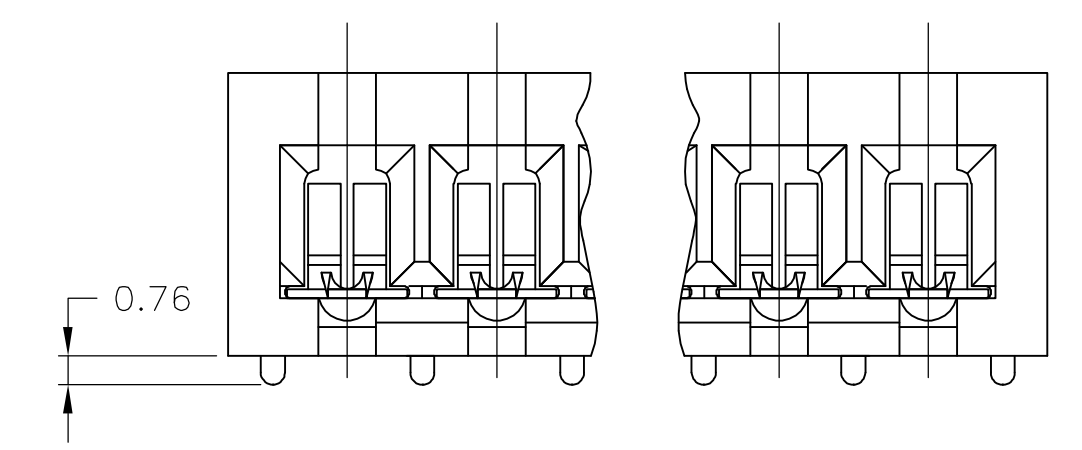
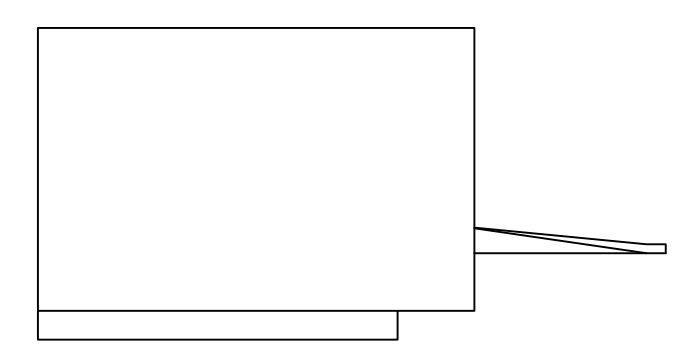
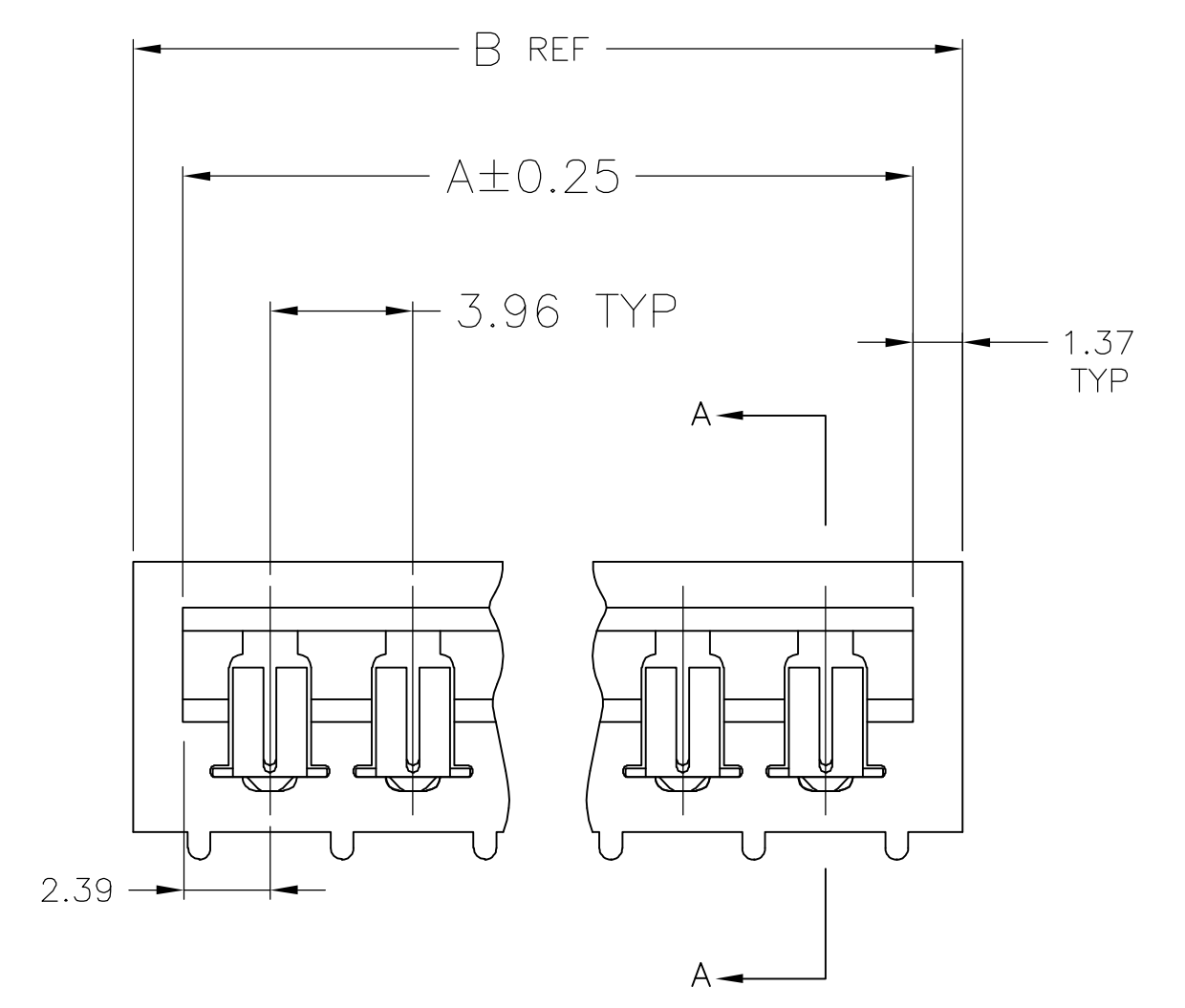


- RECOMMEND 1.57 DIA HOLES FOR SOLDER TAIL TABS.
- BOARD THICKNESS TO BE 1.575±0.191 INCLUDING CIRCUITRY.
- 0.38 MIN X 45° CHAMFER RECOMMENDED ON BOTH SIDES OF BOARD.
- PARTS COMPLY WITH AMP SOLDERABILITY SPEC. 109-11-3.
- MATERIAL: HOUSING-THERMOPLASTIC POLYESTER, UNREINFORCED, UL94V-0, NATURAL.
CONTACT - 0.25 BRASS, BRIGHT TIN OR TIN LEAD PLATED 0.00203 MIN. THICK. SEE FINISH TABLE FOR SPECIFICS.
- "C" DIMENSION TO BE 0.28 LESS THAN "A" DIMENSION.
- SEE RESTRICTED CUSTOMER DRAWING 640133-7.



MM	IN	MM	IN	MM	IN	MM	IN
0.38	.015	1.91	.075	6.35	.250	-	-
0.25	.010	1.575	.0620	5.08	.200	-	-
0.191	.0075	1.57	.062	3.96	.156	-	-
0.13	.005	1.37	.054	3.94	.155	11.56	.455
0.00203	.000080	0.76	.030	2.39	.094	9.53	.375
0.00	.000	0.51	.020	2.29	.090	8.26	.325

RECOMMENDED P.C. BOARD LAYOUT

FINISH	IN	MM	IN	MM	NUMBER OF CIRCUITS	PART NUMBER
TIN	2.014	51.16	1.906	48.41	12	4-640133-2
TIN	1.702	43.23	1.594	40.49	10	4-640133-0
TIN	1.389	35.28	1.281	32.54	8	3-640133-8
-	-	-	-	-	-	△
TIN	1.077	27.36	.969	24.61	6	3-640133-6
TIN-LEAD	2.014	51.16	1.906	48.41	12	1-640133-2
TIN-LEAD	1.702	43.23	1.594	40.49	10	1-640133-0
TIN-LEAD	1.389	35.28	1.281	32.54	8	640133-8
-	-	-	-	-	-	△
TIN-LEAD	1.077	27.36	.969	24.61	6	640133-6

METRIC

THIS DRAWING IS A CONTROLLED DOCUMENT.

DWN: T. BECK 28AUG97
 CHK: R. SWING 28AUG97
 APD: A. BEDDICK 23SEP97

tyco Electronics
 Tyco Electronics Corporation
 Harrisburg, PA 17105-3608

NAME: EDGE CONNECTOR ASSEMBLY, BIFURCATED LEAF

SIZE: A1 CAGE CODE: 00779 DRAWING NO: 640133

RESTRICTED TO: -

CUSTOMER DRAWING SCALE: 5:1 SHEET: 1 OF 1 REV: N1